

EU
SCAN
67

EU - ASSEMBLY AND INSTRUCTIONS MANUAL

SCAN 67



SCAN®

ASSEMBLY AND INSTRUCTIONS MANUAL SCAN 67

CONGRATULATIONS ON YOUR NEW SCAN WOOD-BURNING STOVE

You have purchased a product by one of Europe's leading manufacturers of wood-burning stoves, and we are sure that you will have years of pleasure from your purchase.

To make the best possible use of your stove, it is important that you follow our advice and instructions. Read through this Assembly and Instruction Manual carefully before you start to assemble your stove.

SCAN 67
1000 MM



SCAN 67
1600 MM



SCAN 67
1300 MM



TABLE OF CONTENTS

TECHNICAL DATA	4		
Installation	4	Dimension sketch and minimum distances	6
Safety	4	Type plate	8
Technical data and dimensions	5	Product registration number	8
ASSEMBLY	9		
Tools needed for mounting of the stove	9	Removal of packaging	12
Loose parts	9	Setting of electronic air control	14
Additional accessories	9	Charging of electronic air control	14
Disposal of packaging	9	Height adjustment of stove	15
Fresh air intake	9	Door (Self-closing)	16
Closed combustion system	10	Fitting the flue connection piece	19
Existing chimney and pre-fabricated element chimney	10	Handle	21
Connection between stove and steel chimney	10	Heat-storage system	22
Requirements for chimney	11	Load-bearing foundation	23
Distance to furniture	11	Floor plate	23
Safety distance	11		
INSTRUCTIONS FOR USE	24		
CB-technology (Clean Burn)	24	Baffle plates	24
Electronic air control	24	Ash container	24
Manual air control	24		
INSTRUCTIONS FOR HEATING	26		
Environmentally-friendly firing	26	Firing in the spring or autumn	27
Lighting	26	The function of the chimney	27
Continuous operation	27	Chimney fire	28
Warning about over-firing	27	General notes	28
Using the stove in various weather conditions	27		
HANDLING OF THE FUEL	29		
Selecting wood/fuel	29	Moisture	29
Preparation	29	Use of the following as fuel is illegal	29
Storing	29	Calorific value of the wood	29
MAINTAINANCE	30		
Sweeping the chimney and cleaning the stove	30	Painted surfaces	30
Checking the stove	30	Removal of baffle plates and combustion chamber lining	31
Servicing	30	Cleaning the glass	33
Combustion chamber lining	30	Disposal of stove parts	33
Gaskets	30		
TROUBLESHOOTING	34		
WARRANTY	35		

TECHNICAL DATA

INSTALLATION

- The house owner is responsible for ensuring that installation and assembly are in accordance with national and local building regulations as well as the information provided in this Assembly and Instruction Manual
- When you install any kind of fireplace or stove, you must inform the local building and housing authorities. In addition you are obliged to have the installation inspected and approved by a local chimney sweep prior to commissioning
- To ensure best-possible functionality and safety for your installation, we advise you to call a professional fitter. Your Scan Dealer will be able to recommend a qualified fitter in your area. For information on Scan Dealers, please go to www.scan-stoves.com

SAFETY

Any changes made to the product by the dealer, fitter or user could result in the product and safety functions not functioning as intended. The same applies to the fitting of accessories or extra equipment not supplied by Scan A/S. This could also be the case if parts that are necessary for the operation and safety of the stove are dismantled or removed.



■ **PLEASE NOTE!**

YOU GET THE BEST USE OF
THE STOVE BY USING
A TOP-DOWN
LIGHTING METHOD

SEE
"INSTRUCTIONS FOR HEATING"



TECHNICAL DATA AND DIMENSIONS

Materials	Stainless steel plate Cast iron Ceramic stone/vermiculite Glass
Surface treatment	Senotherm
Max. wood length	30 cm*
Weight Scan 67 1000 mm	approx. 101 kg
Weight Scan 67 1300 mm	approx. 114 kg
Weight Scan 67 1600 mm	approx. 121 kg
Connecting piece int. diameter for outside flue pipe	144 mm
Connecting piece ext. diameter for outside flue pipe	148 mm
Connecting piece int. diameter for inside flue pipe	157 mm
Connecting piece ext. diameter for inside flue pipe	161 mm
Fresh air connection piece external diameter	100 mm
Approval type	Intermittent fuelling**

* The stove can take logs up to 35 cm (vertically placed).

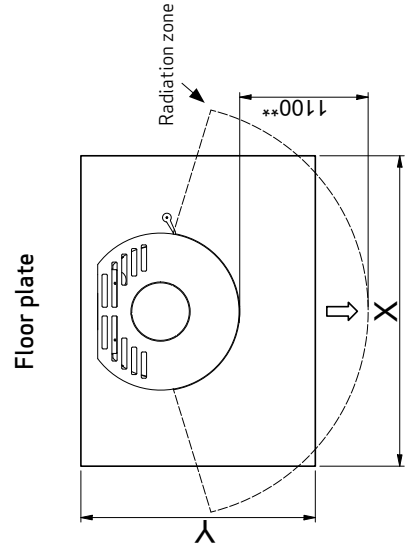
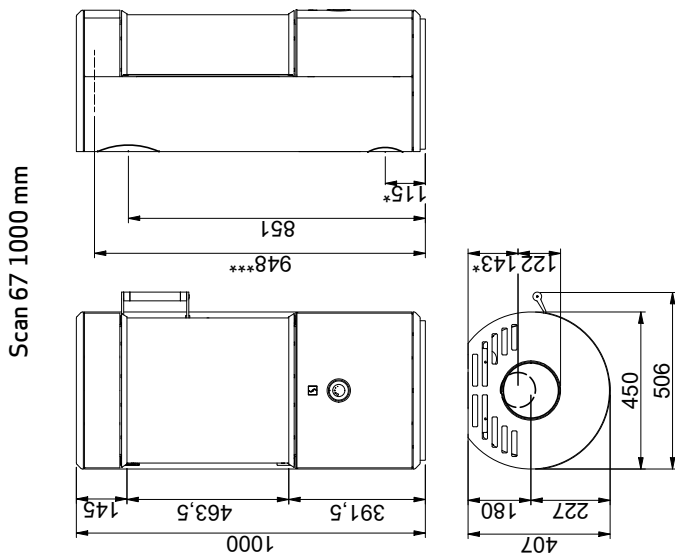
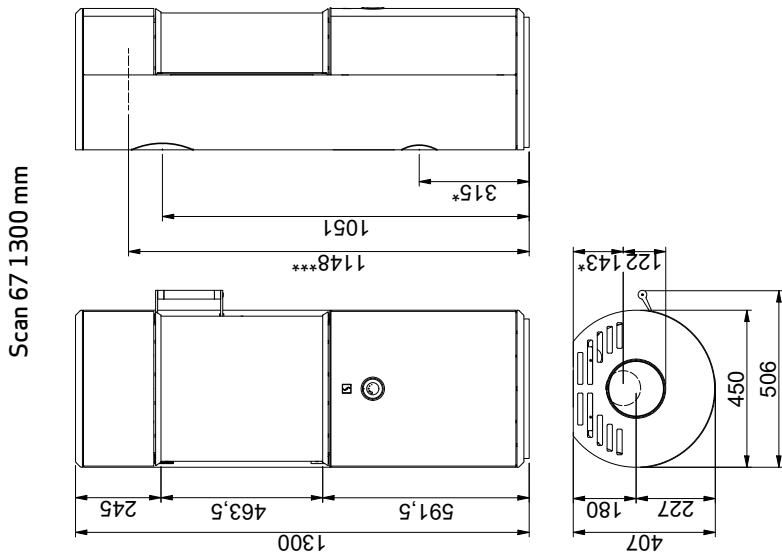
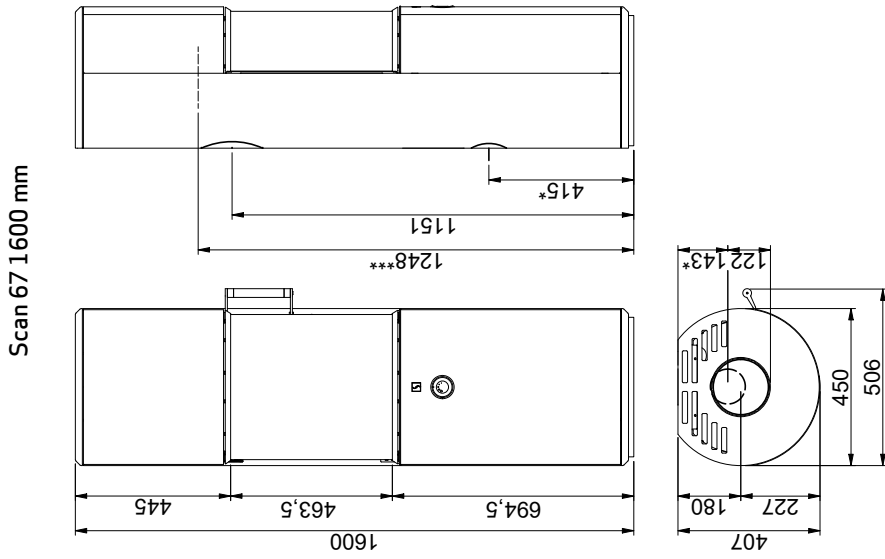
** Intermittent operation in this context means normal use of a wood-burning stove. In other words, you should let the fire die down until only the embers are left before refueling.

This stove is produced in accordance with type approval for the product, which also covers the product's Assembly and Instruction Manual.

The Declaration of Performance (DoP) is available from www.scan-stoves.com

Test in compliance with EN 13240	
CO Emission at 13% O ₂	0,055 %
CO Emission at 13% O ₂	687 mg/Nm ³
Dust @ 13% O ₂	30 mg/Nm ³
No _x @ 13% O ₂	99 mg/Nm ³
Efficiency	76 %
Energy efficiency index	100
Energy efficiency class	A
Nominal output	5 kW
Chimney temperature EN 13240	287 °C
Temperature in flue conn. piece	344 °C
Amount of smoke	5,9 g/sec
Sub-pressure EN 13240	11 Pa
Recommended sub-pressure in connecting piece	18 Pa
Required combustion air supply	18 m ³ /h
Fuel	Wood
Fuel consumption	1,8 kg/h
Amount of fuel	1,4 kg
Amount of fuel, max.	2,0 kg

DIMENSION SKETCH AND MINIMUM DISTANCES

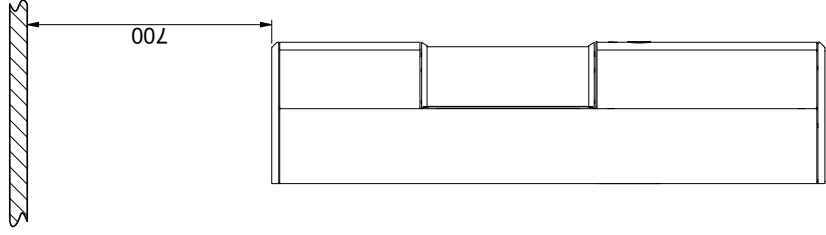


All distances are in mm.
 All distances are minimum distances
 * Connection of fresh-air intake Ø100 mm
 ** Min. distance to furniture/flamable material
 *** Height to the beginning of flue connecting piece at top outlet

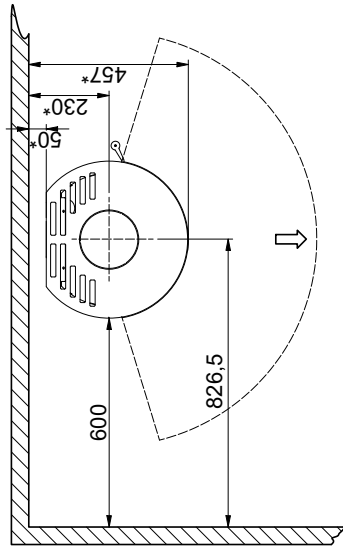
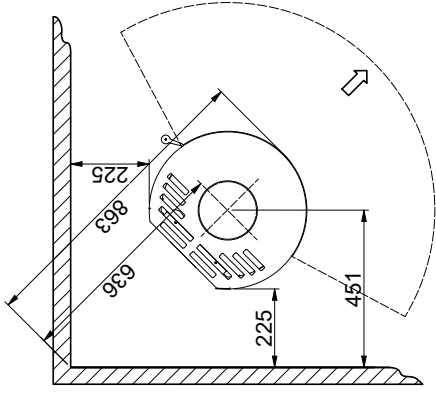
X / Y according to national laws and regulations

MINIMUM DISTANCES

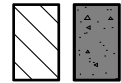
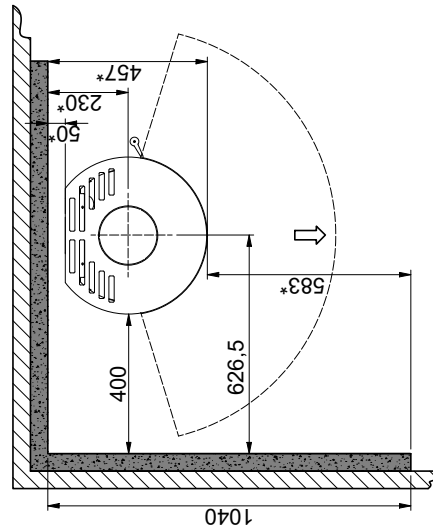
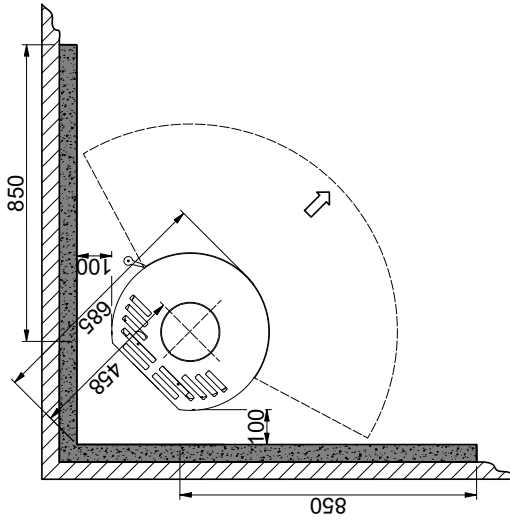
Flammable ceiling
(Scan 67 1600 mm)



Minimum distance to flammable materials



Minimum distance to flammable wall protected by a fire wall



All distances are in mm.

All distances are minimum distances

* Half-insulated chimney / shielded flue pipe (The requirements to the chimney and the flue pipe in terms of safety distances must be met)

TYPE PLATE

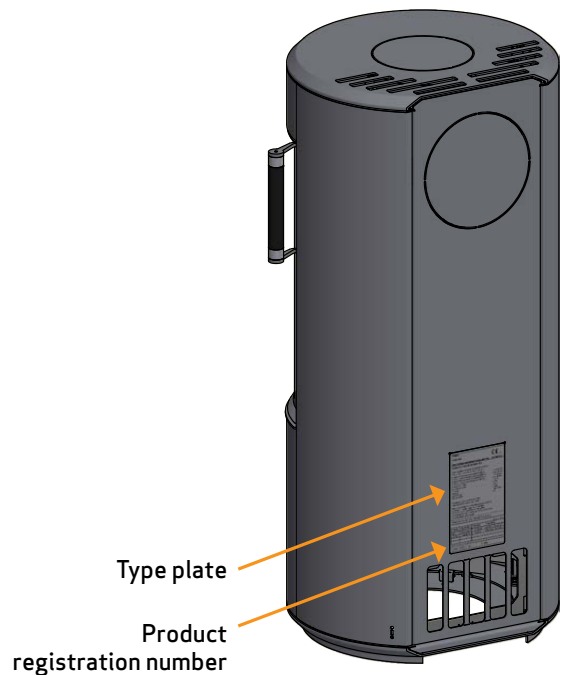
All Scan wood-burning stoves are fitted with a type plate that specifies the approval standards and the distance to flammable materials.

The type plate is located at the rear of the stove.

Typeplate

Product: Scan 67		CE 23	
Freestanding room heater fired by solid fuel		DoP: 90067600	
Standard: EN 13240:2001/A2:2004:AC:2007			
Minimum distance to adjacent combustible materials: Side: 600 mm - Back: 50 mm - Front: 1100 mm			
Emission of CO in combustion products (13% O ₂)	:	687 mg/Nm ³	
Emission of NOx in combustion products (13% O ₂)	:	99 mg/Nm ³	
Emission of OGC in combustion products (13% O ₂)	:	38 mg/Nm ³	
Emission of PM in combustion products (13% O ₂)	:	30 mg/Nm ³	
Flue gas temperature	:	287 °C	
Nominal heat output	:	5 kW	
Efficiency	:	76 %	
Fuel type	:	Wood	
Operation type	:	Intermittent	
Reaction to fire	:	A1	
The appliance can be used in a shared flue Approved by: DTI, NB.no 1235			
Follow user's instructions. Use only recommended fuels. Montage- und Bedienungsanleitung beachten. Verwenden Sie nur empfohlenen Brennstoffen. Respectez les consignes d'utilisation. Utilisez uniquement les combustibles recommandés.			
Manufacturer: Scan A/S - DK 5492 Vissenbjerg			
12062785 90067650			
Country	Classification	Standard	Approved by
EUR	Intermittent	EN 13240	DTI, NB.no 1235
NORWAY	Klasse 2	NS 3058	DTI, NB.no 1235
AUSTRIA		15a B-VG	DTI, NB.no 1235
GERMANY	Stufe 2	1. BImSchV	DTI, NB.no 1235
Lot no: 000000 2023		Pin: 000	

Product registration number



PRODUCT REGISTRATION NUMBER

All Scan wood-burning stoves are provided with a product registration number. Please make a note of this number at the rear page of this manual; you will always need to quote it when contacting your dealer or Scan A/S.

The product registration number is located at the rear of the stove.

ASSEMBLY

TOOLS NEEDED FOR MOUNTING OF THE STOVE

- Spirit level
- Cutting nippers
- Combo wrench 8 mm
- 3 allen keys (2,5 mm, 4 mm & 5 mm)

LOOSE PARTS

In the stoves combustion chamber you will find the following loose parts:

- Glove
- Seal for the connecting piece
- USB-C charger cable for Zensoric control
- Connecting piece 148 cm for outside flue pipe
- Dekor plate for top plate
- Eco energy label

ADDITIONAL ACCESSORIES

- Small shaped floor plate in glass
- **Scan 67 1300 cm:** Heat accumulating stones (2 items approx. 21 kg)
- Handle - 7 different kinds
- Large shaped floor plate in glass
- **Scan 67 1600 cm:** Heat accumulating stones (5 items approx. 52,5 kg)

DISPOSAL OF PACKAGING

Your Scan stove may come supplied with the following packaging:

Wood packaging	The wood packaging can be reused and after final use can be incinerated as a CO ₂ neutral product or sent for recycling
Foam	Send for recycling or waste disposal
Plastic bags	Send for recycling or waste disposal
Stretch/plastic film	Send for recycling or waste disposal

FRESH AIR INTAKE

In a well-insulated house, the air used up by the burning process has to be replaced. This particularly applies to houses with mechanical ventilation. There are different ways of making sure that an air exchange takes place. The most important thing is to ensure that there is a supply of air to the room where the wood stove is located. The external wall vent must be located as close to the wood stove as possible, and you must be able to close it when you are not using the wood stove.

National and local building regulations must be followed with regard to the connection of fresh-air intake.

CLOSED COMBUSTION SYSTEM

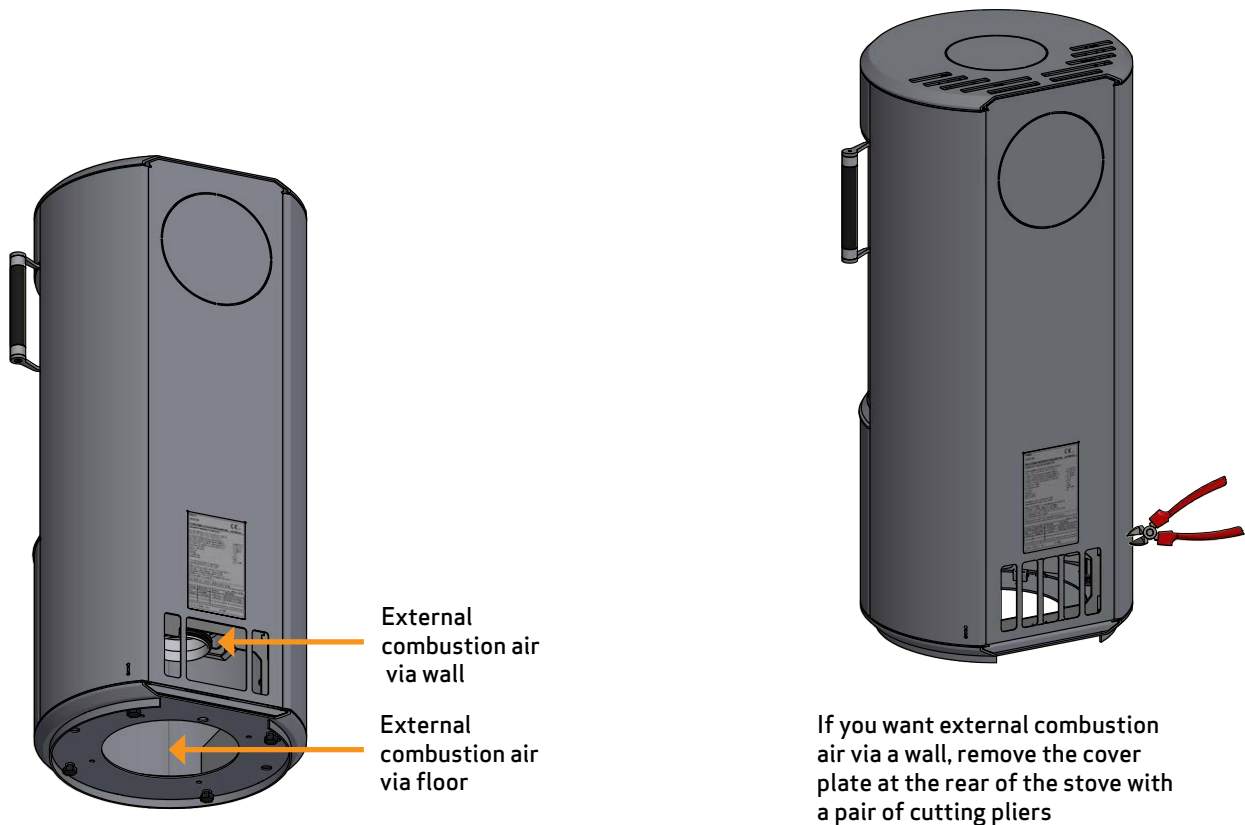
You should use the closed combustion system for the wood-burning stove if you live in a newly-built, airtight home. External combustion air is connected through a ventilation pipe via the wall or floor.

We recommend mounting a valve in the ventilation pipe in order to avoid condensate in the stove and the pipe system, when the stove is not in use. It can also be an advantage to insulate the ventilation pipe.

Minimum Ø 100 mm ventilation pipe, maximum length: 6 metres with a maximum of one bend. We recommend smooth steel pipes.

If the external combustion air is connected at the rear, the dismantled plate must be mounted on the hole for external air in the bottom of the stove.

NOTE: if the stove has a fresh air connexion or closed combustion, the ventilation pipe must be open, when the stove is in use!



EXISTING CHIMNEY AND PRE-FABRICATED ELEMENT CHIMNEY

If you intend to connect your stove to an existing chimney, it makes sense to contact an authorised Scan dealer, or a local chimney sweep, for advice. These experts will also let you know if your chimney needs renovating.

- When connecting a pre-fabricated element chimney, follow the manufacturer's connection instructions for the relevant chimney type.

CONNECTION BETWEEN STOVE AND STEEL CHIMNEY

Your Scan dealer, or local chimney sweep, can advise you on choosing a make and type of steel chimney. This ensures that the chimney will match your wood-burning stove.

REQUIREMENTS FOR CHIMNEY

The chimney must have a minimum internal diameter of 148 mm and have a T400 designation, with G for the soot fire test. The length should be min. 4 metres.

If you opt to connect the stove with an elbow pipe, you should use a curved elbow, as this gives a better draught.

If you connect the stove with a sharp elbow pipe, the cleansing lid must be placed in the vertical part so that the horizontal part can be cleaned through here.

If the chimney is fitted with a smoke extractor, it must be possible to adjust it to a suitable draft.

The requirements to the chimney and the flue pipe in terms of safety distances must be met.

- Choosing the wrong length or diameter of chimney could impair functionality
- Always comply exactly with the instructions provided by the chimney supplier
- The stove is not prepared for a balanced chimney, in which case the warranty is invalid



DISTANCE TO FURNITURE

Distance to furniture from glass: 1100 mm.

You should however assess whether furniture or other items might become excessively dry due to being too close to the stove.

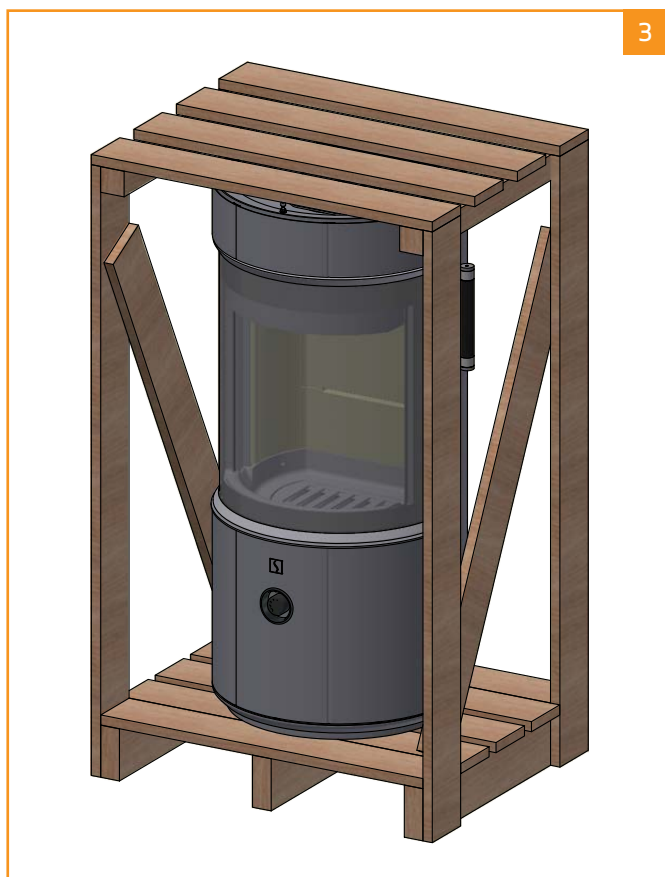
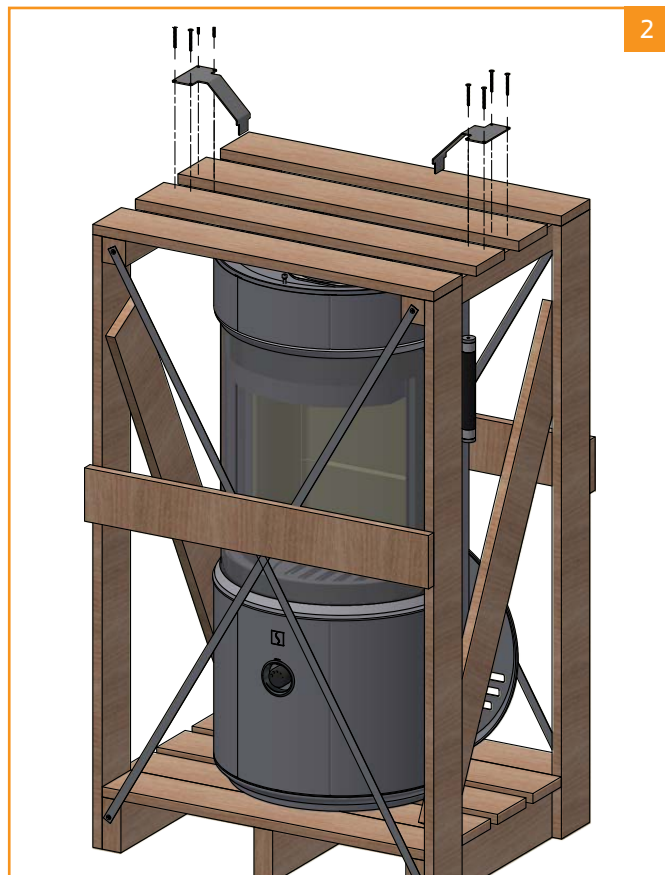
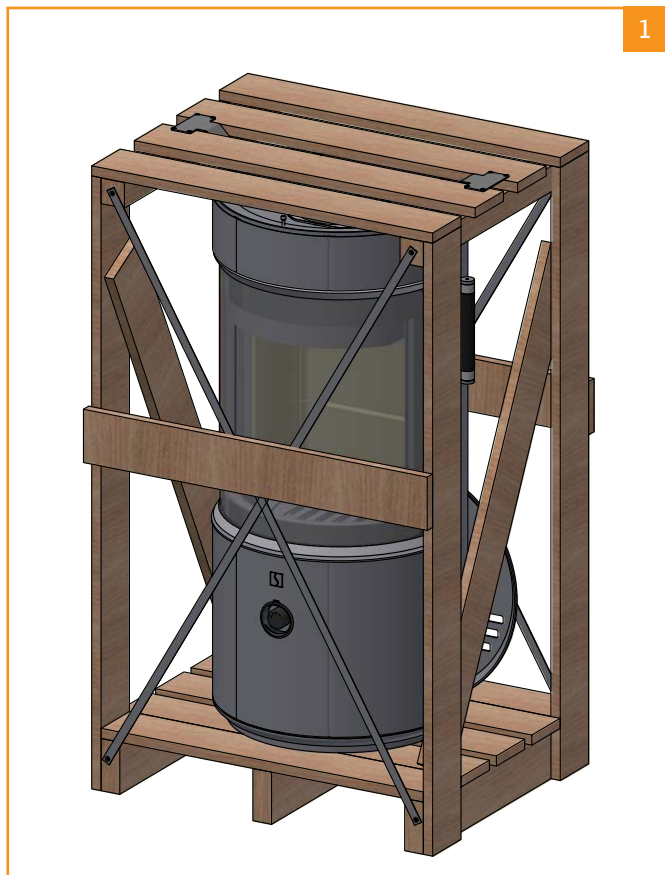
SAFETY DISTANCE

European, national and local regulations concerning safety distances for wood-burning stoves must be complied with.

The stove must be set up so that the stove itself, the flue pipe, and the chimney can all be cleaned.

REMOVAL OF PACKAGING

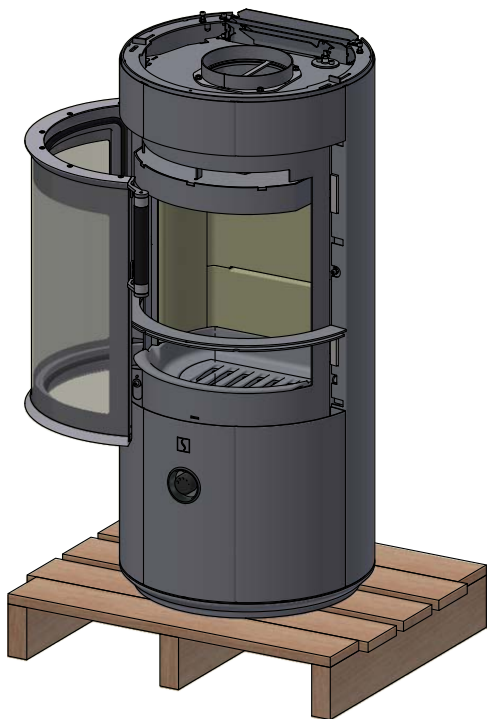
Check that the stove is not damaged before starting to install it.
The stove comes attached to a wooden pallet on delivery.



REMOVAL OF PACKAGING

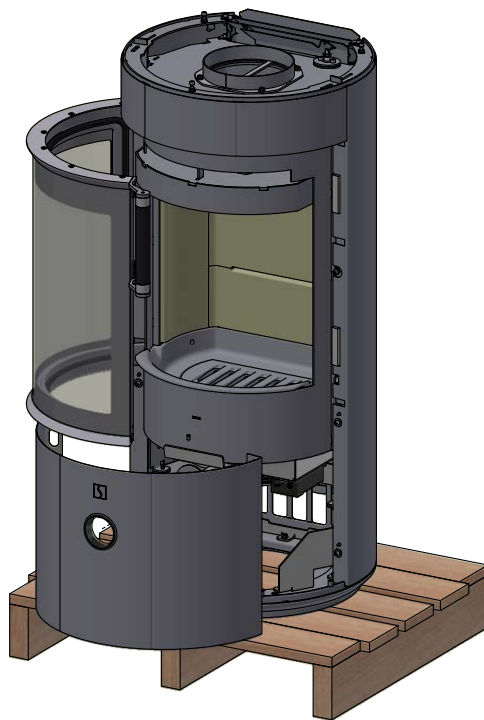
Remove the cover plate in the base

5



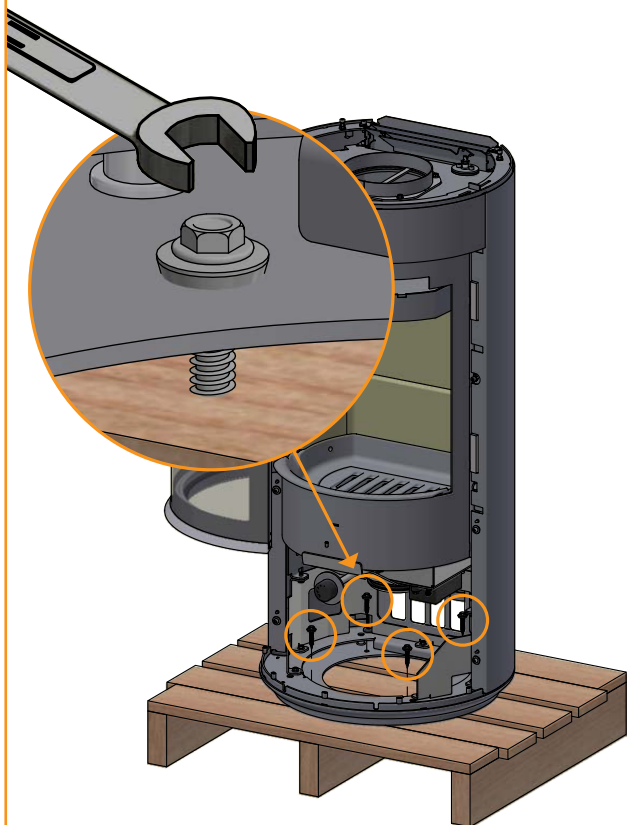
Lift off the front of the base

6



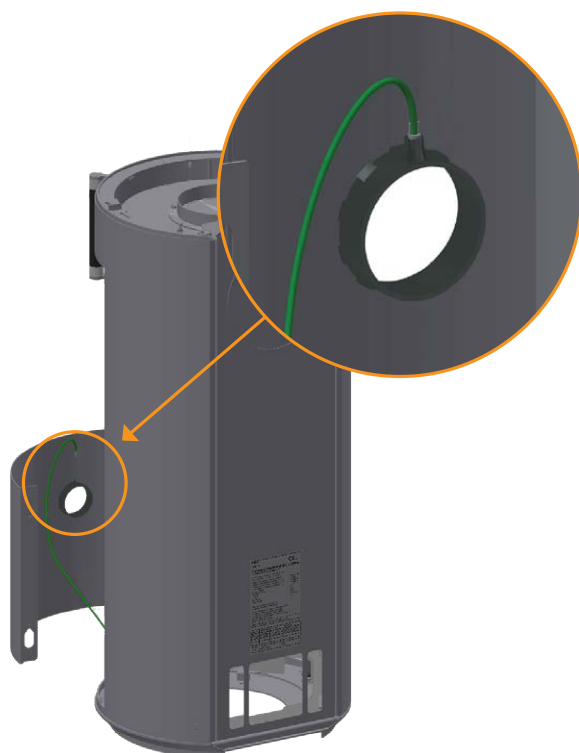
Remove the screws

7



The LED is placed loose inside the stove and must be mounted before the front plate is fitted. Press the LED down until it "clicks"

8



SETTING OF ELECTRONIC AIR CONTROL

The electronic air control on Scan 67 run in 3 levels:

Step 1 - Suitable for softwood, e.g. fir, pine, poplar, willow

Step 2 - Suitable for between hardwoods, e.g. birch, maple, or mixed hardwood

Step 3 - Suitable for hardwood, e.g. beech, ash, oak

The stove is delivered set to Step 2 - which suits the needs of most consumers.

If you want to change the setting, turn the air control button:

Step 1 - Turn clockwise

Step 2 - Set to center position

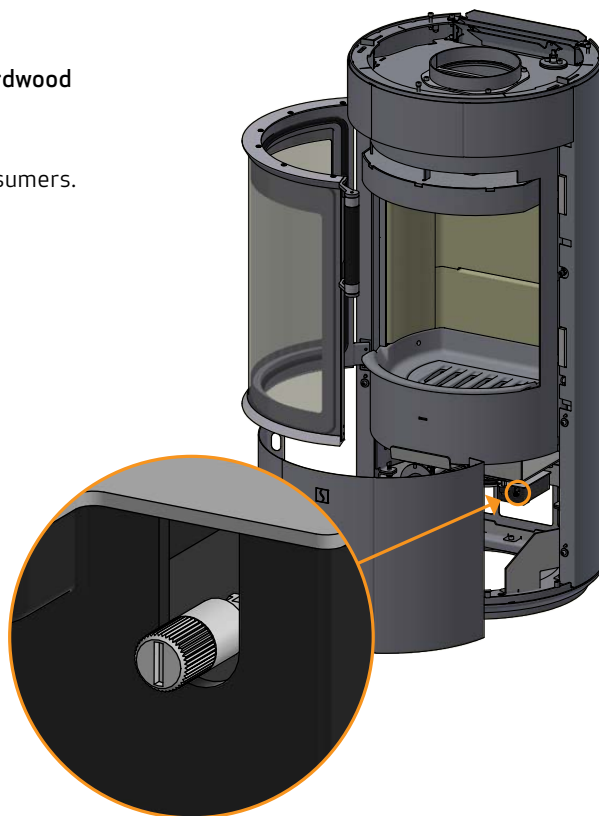
Step 3 - Turn counterclockwise

When the door is opened, the LED blinks:

1 white blink - Step 1

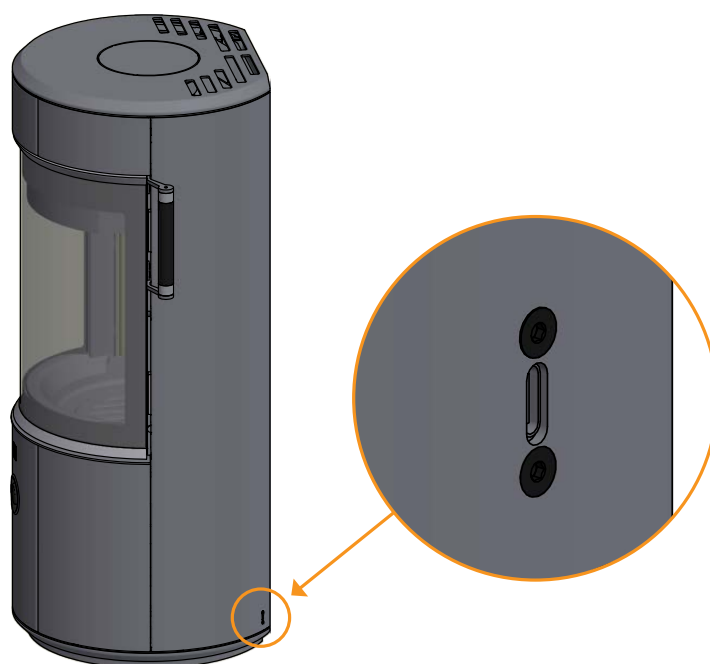
2 white blink - Step 2

3 white blink - Step 3



CHARGING OF ELECTRONIC AIR CONTROL

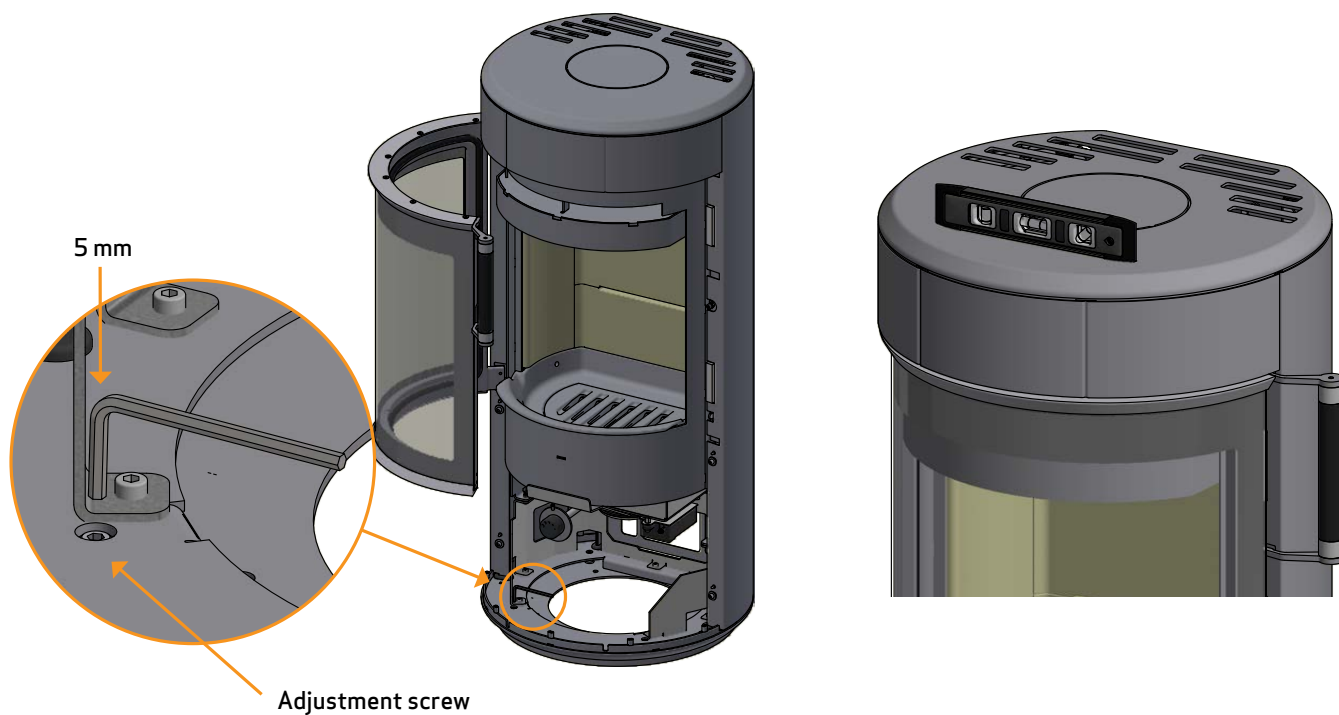
Before firing in the stove, the electronic air control - Zensoric must be charged by connecting the supplied USB-C charger plug at the bottom of the side of the stove and the 5V power supply in the socket.



HEIGHT ADJUSTMENT OF STOVE

The stove has four adjustment screws under the stove. Use the adjustment screws to get the stove to stand straight and level.

NOTICE: It is very important that the stove is level to allow an optimal function of the door. Please note that once mounted the stove can no longer be adjusted!



DOOR (SELF-CLOSING)

The door is delivered without self-closing function (Bauart 1).

If you want a self-closing door, the spring can be tightened by turning the long screw (inside the spring) clockwise using a Allen key (5 mm) and at the same time tightening the pointed screw at the bottom with a Allen key (2.5 mm)

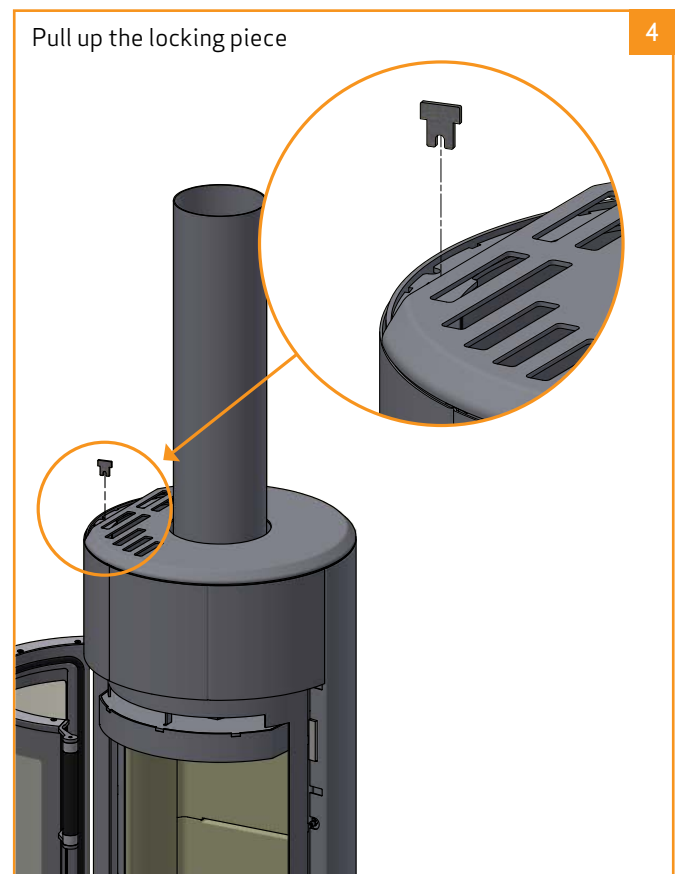
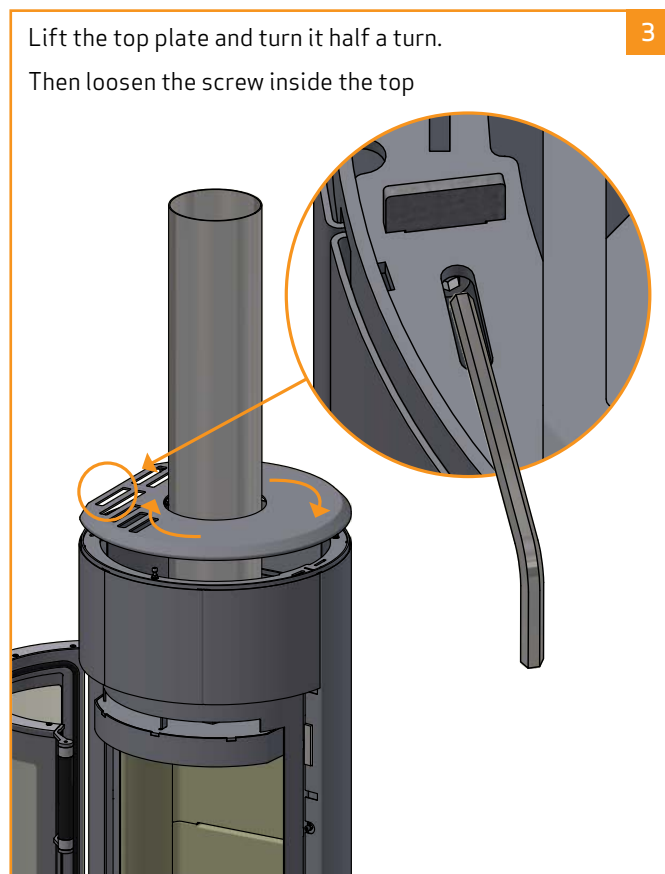
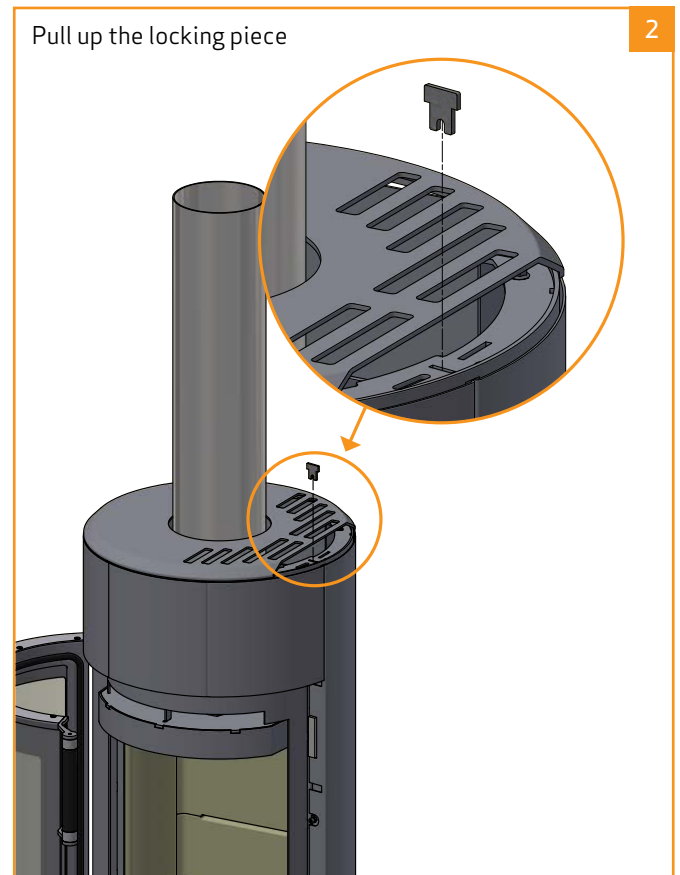
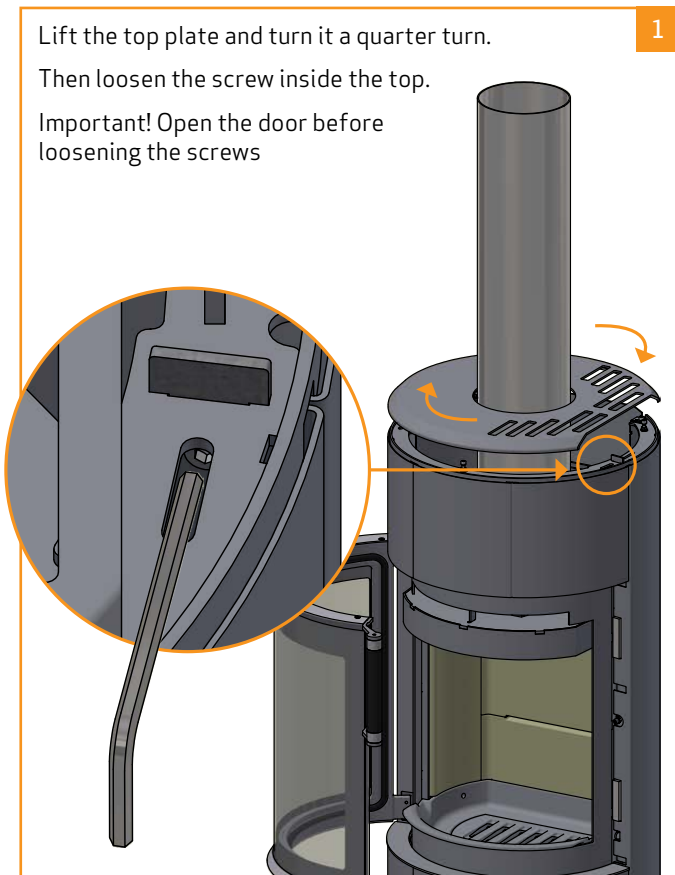
NOTICE: Scan 67 1300 mm/1600 mm (see page 17) *



DOOR (SELF-CLOSING)

NOTICE: Scan 67 1300 mm/1600 mm.

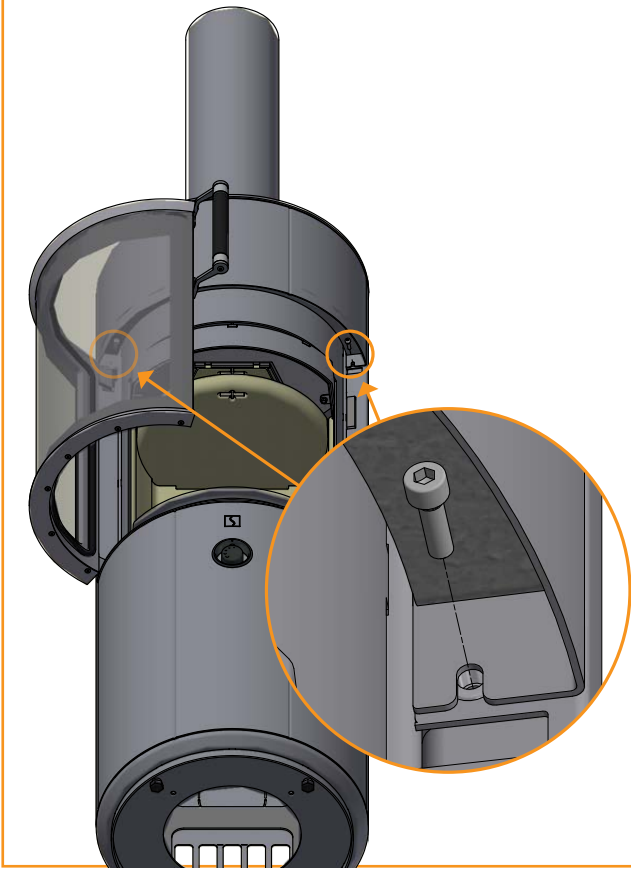
If you want a self-closing door, when the flue pipe is mounted, the front plate must first be removed.



DOOR (SELF-CLOSING)

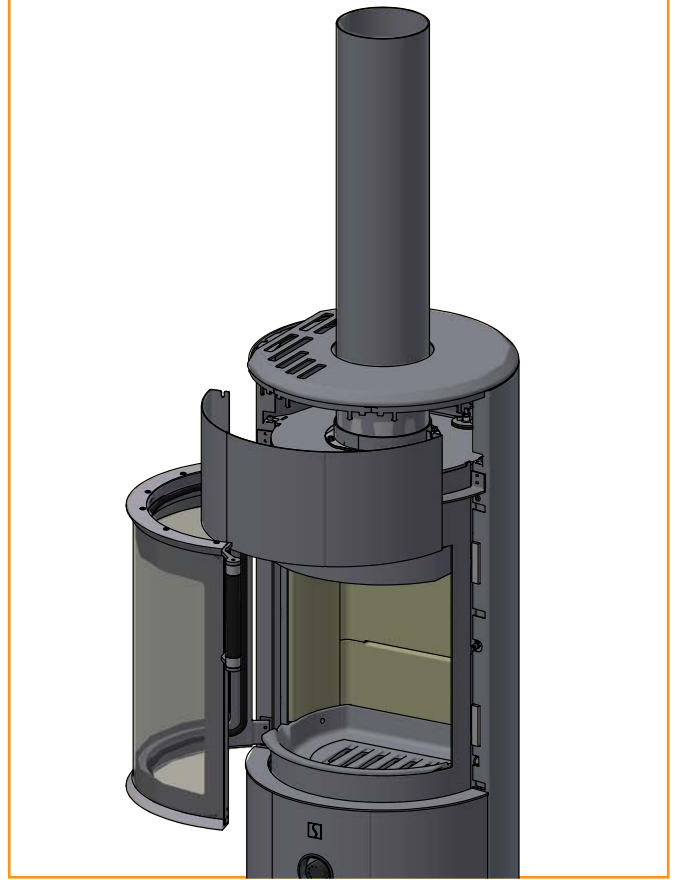
Remove screws while holding on to the frontplate

5



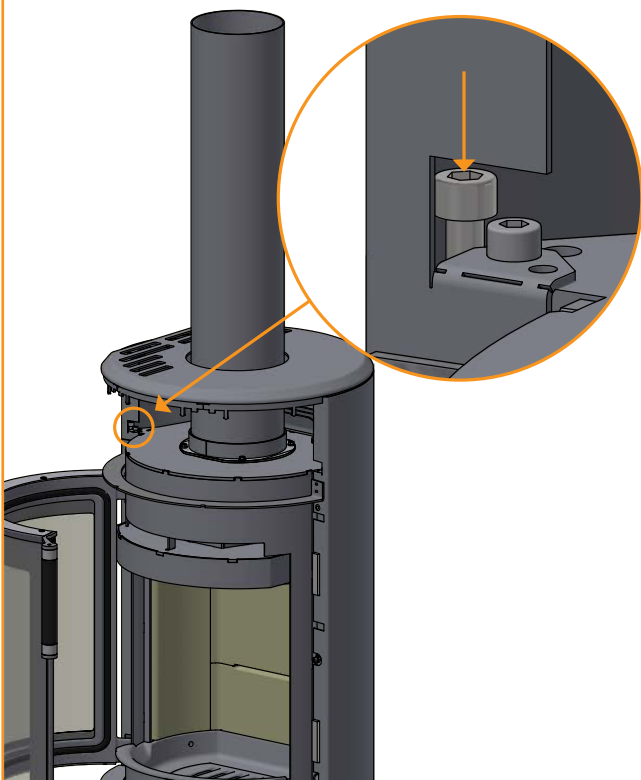
Pull the frontplate down and out

6



Then it is possible to adjust the long screw (see page 16)

7

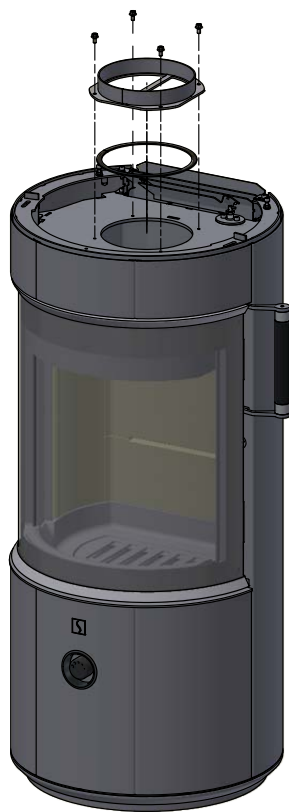


FITTING THE FLUE CONNECTION PIECE IN THE REAR OUTLET

The stove is prepared from the factory for top outlet for inside flue pipe.

Unscrew the stove's connecting piece and remove it

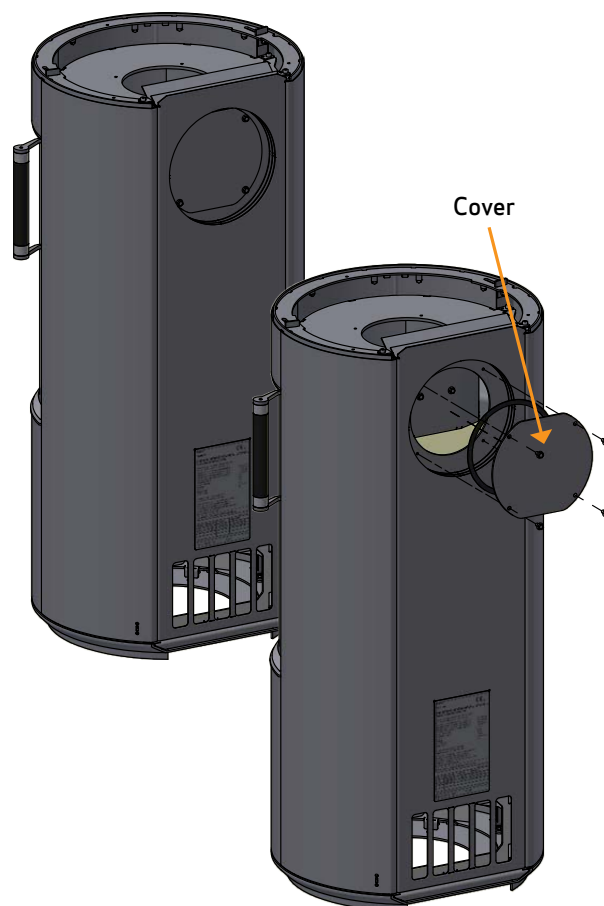
1



Remove the cover.

3

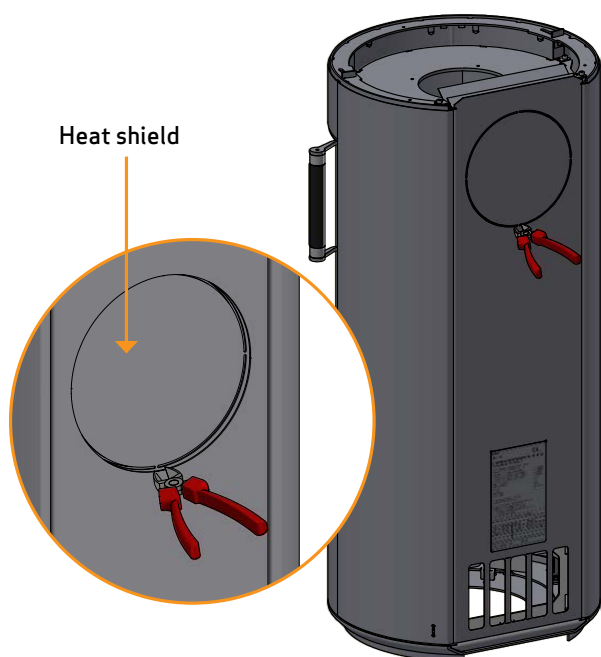
This is to be used later as a seal and cover at the top of the smoke outlet



Unscrew the stove's heat shield and remove it.

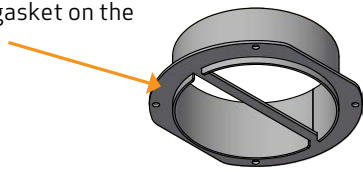
2

Using cutting pliers, cut off the cover plate from the rear plate and at its securing points



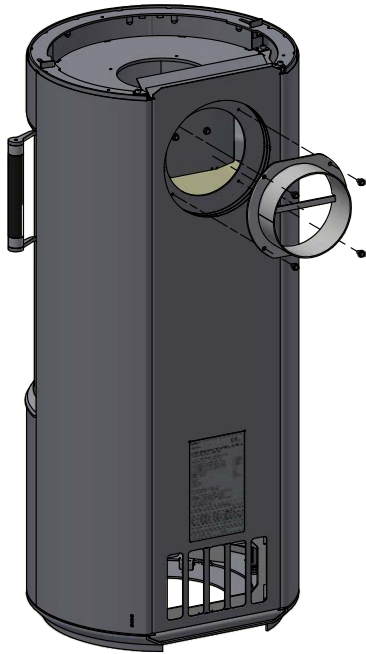
FITTING THE FLUE CONNECTION PIECE IN THE REAR OUTLET

Mount the ceramic gasket on the connecting piece



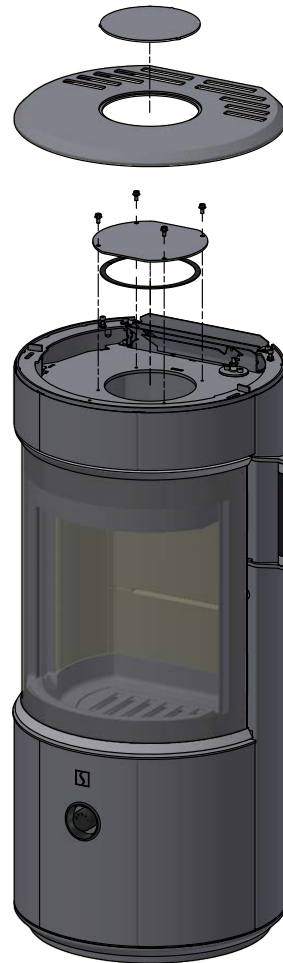
4

Fit the connecting piece with the four screws



5

Fit the cover and tighten it.
Place the top plate



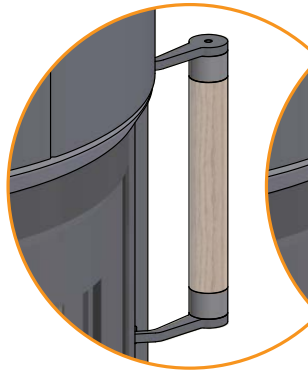
6

HANDLE (ACCESSORY)

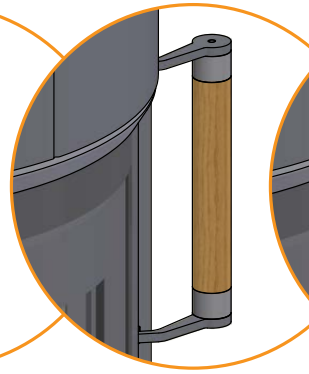
The stove is supplied with a short black handle, but you can buy the handle as an accessory in the wood colors below.



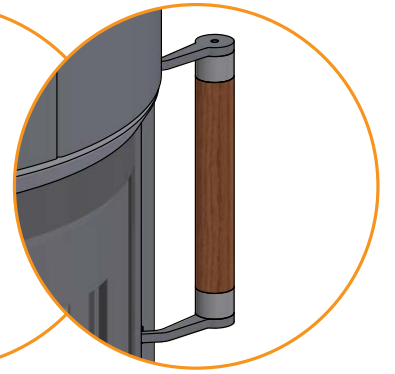
Black (Oak)



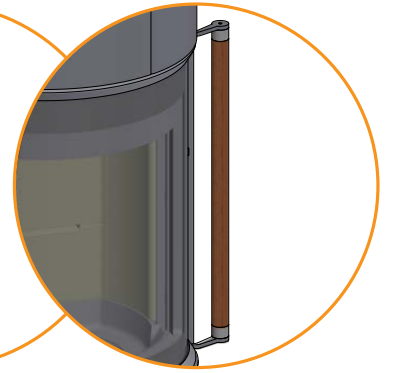
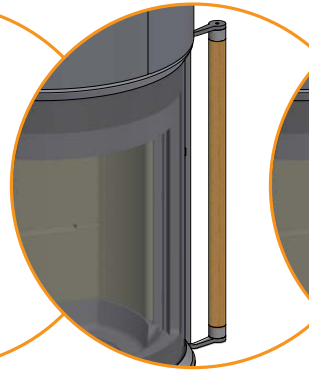
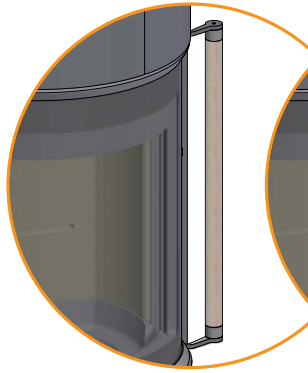
Pure natural (Oak)



Golden (Oak)



Mocca (Oak)



HEAT-STORAGE SYSTEM (ACCESSORY)

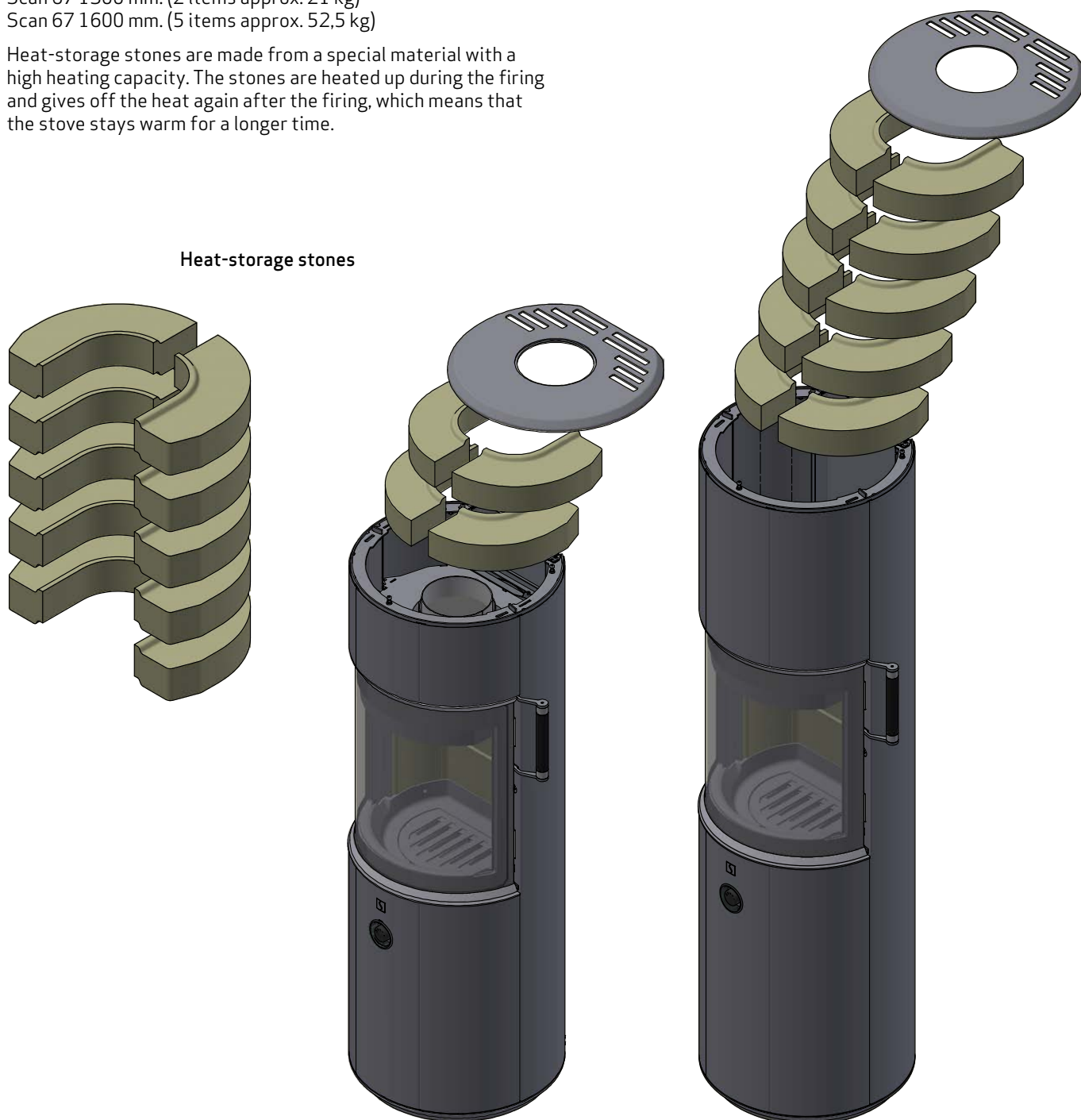
Heat-storage stones are available for:

Scan 67 1300 mm. (2 items approx. 21 kg)

Scan 67 1600 mm. (5 items approx. 52,5 kg)

Heat-storage stones are made from a special material with a high heating capacity. The stones are heated up during the firing and gives off the heat again after the firing, which means that the stove stays warm for a longer time.

Heat-storage stones



LOAD-BEARING FOUNDATION

All items in our product range come under the category of lightweight fireplaces and stoves and do not normally require any reinforcement of the beam structure. They can be positioned on ordinary beams/floor.

You should of course make sure that the foundation on which the stove is positioned can indeed support the weight of the stove and, where applicable, a steel chimney, if you have opted for this solution. In case of doubt about the carrying capacity of the floor, please consult a building expert.

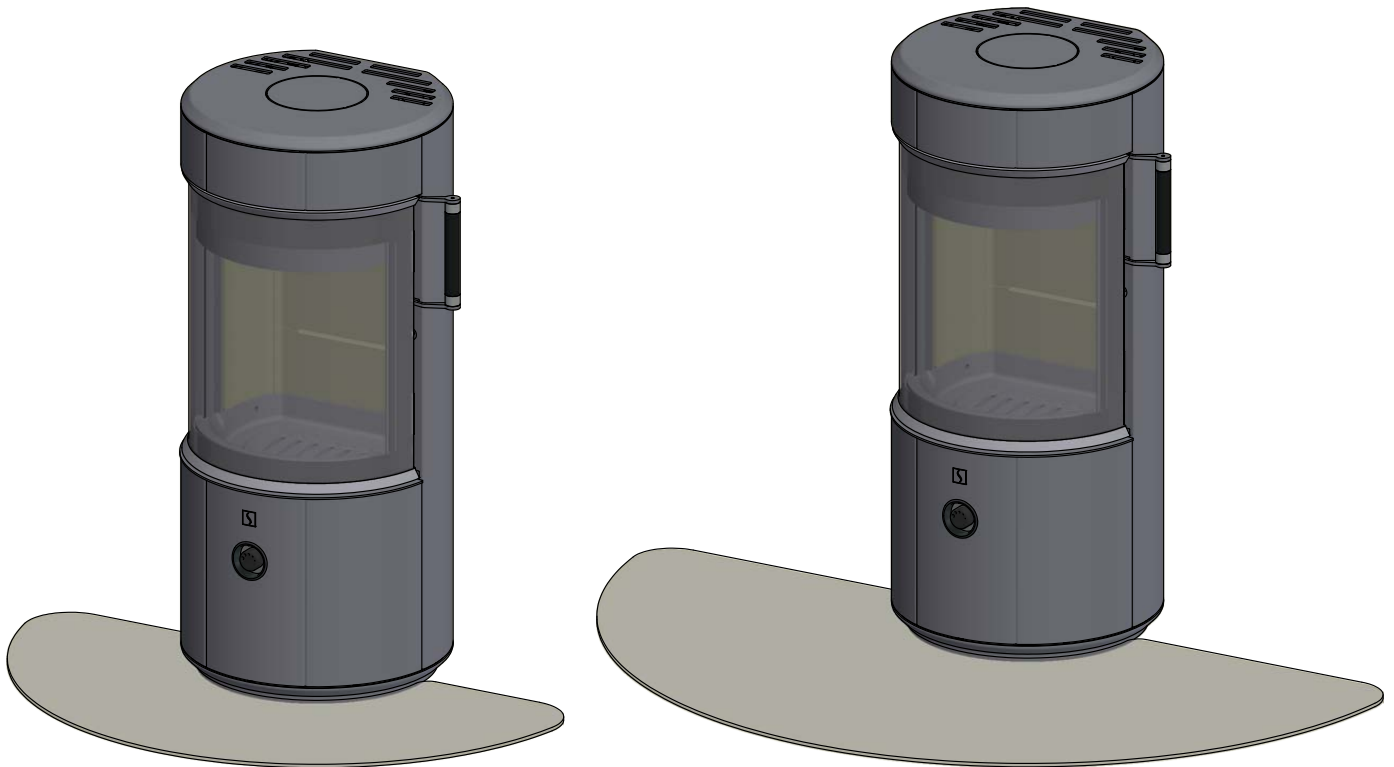
FLOOR PLATE (ACCESSORY)

If you are placing the stove on a flammable floor, you must comply with the national and local regulations on the size of any non-flammable subsurface required to cover the floor around the stove.

Your local Scan dealer can advise you on regulations concerning protection of flammable materials in the vicinity of your stove.

The floor plate's function is to protect the floor and flammable material against any sparks that may occur. A floor plate can be made of steel or glass, but the stove can also be erected on clinker concrete, natural stone or similar materials.

This Scan wood-burning stove has an integrated floor plate at the bottom and can thus be erected directly on flammable material without the need for further protection underneath the stove.



**Small shaped floor plate in glass
(Suitable for corner installation)**

Large shaped floor plate in glass

INSTRUCTIONS FOR USE

CB-TECHNOLOGY (CLEAN BURN)

The stove is equipped with CB technology. In order to ensure optimal combustion of gases released during the combustion process, air passes through a specially developed system of channels. The heated air is conducted into the combustion chamber through the holes in the rear lining of the combustion chamber and at the baffle plates. This airflow is controlled by the rate of combustion and cannot therefore be regulated.

NOTE: The wood must never be placed higher than the lower tertiary holes at the rear of the burn chamber (This does not apply at a cold start).

ELECTRONIC AIR CONTROL

The stove is equipped with an electronic air control - Zensoric, which self-regulates the combustion of the wood with the right amount of air and the right temperature. Zensoric is designed to achieve the cleanest possible combustion, which can be difficult to achieve with manual operation.

Zensoric is battery powered and keeps charging for up to an entire firing season. It is recommended to charge Zensoric when the firing season is over. Charging is done by connecting the supplied USB-C charger plug at the bottom of the side of the stove and the 5V power supply in the socket. It is not recommended to charge during firing.

When opening the stove door (when it is cold), the stove gives off signal status - see "Zensoric Signal Guide" - page 25.

MANUAL AIR CONTROL

In addition to the automatic control, which the control itself performs, you can control the combustion / flames up or down with the air control button under the door.

When lighting the fire, the combustion air should be fully open.

Settings for normal load: 20-80%

BAFFLE PLATES

The baffle plates are located in the upper part of the combustion chamber. The plates hold back smoke, making sure it stays inside the combustion chamber for a longer time before escaping through the chimney. This reduces the flue gas temperature as the gases have more time to dissipate heat to the stove.

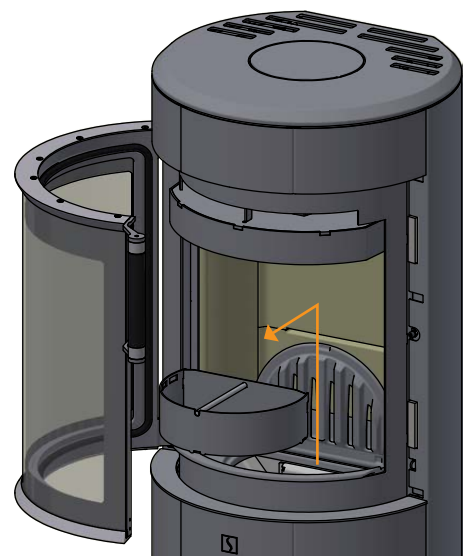
The baffle plates must be removed for sweeping; see "Maintenance". Note that the baffle plates are made of porous, ceramic material, and is liable to break easily. You should therefore handle them with care.

The baffle plates are subject to wear and tear and not covered by the warranty.

ASH CONTAINER

Open the door and the grate in the bottom of the stove and lift out the ash container.

- To achieve optimal combustion, do not overfill the ash container. It should therefore be emptied when it is 3/4 full
- Never empty ashes into a flammable container. Ashes can contain glowing embers long after you finish operating the stove



ZENSORIC SIGNAL GUIDE

- 1 green blink = air damper test OK
- 1 green blink repeated every 8 seconds = re-firing signal
- 2 blue blink repeated every 8 seconds = recharge battery

- 1 red blink = air damper fault
- 2 red blink = battery level low, Zensoric switches off
- 3 red blink = temperature gauge fault

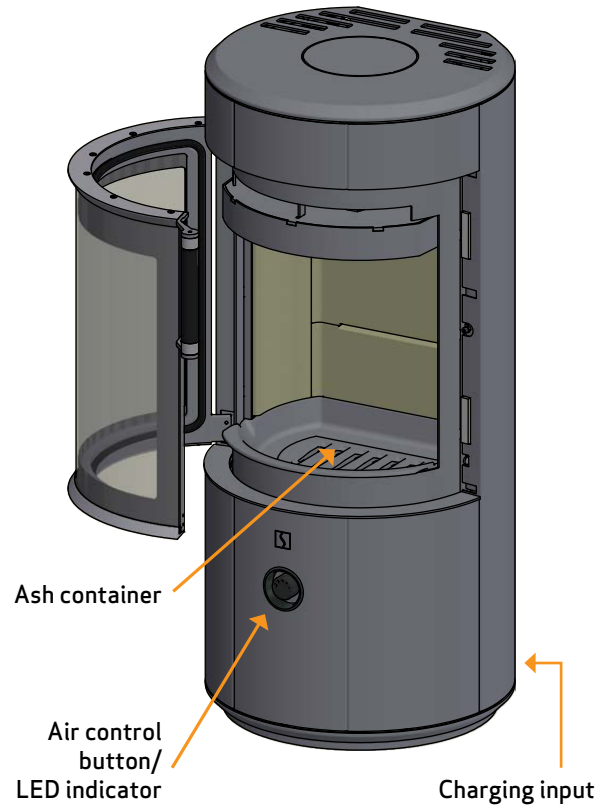
When charging:

Continuous red = charging

LED goes out = fully charged

No blinking at first opening of cold stove =
fault on door sensor

In case of error - contact the dealer of the stove

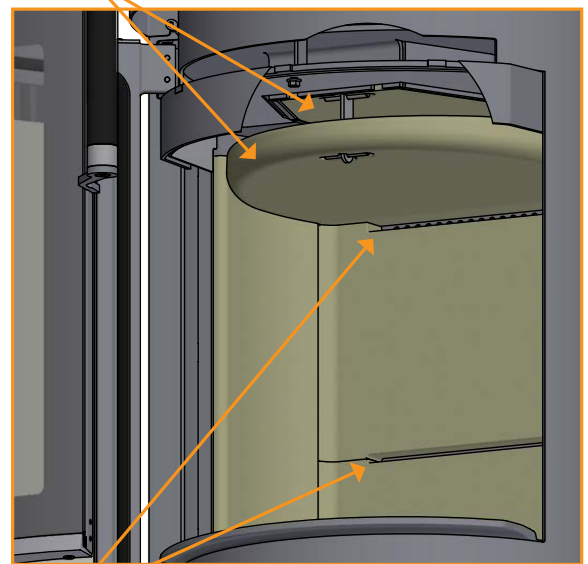


RESET ZENSORIC

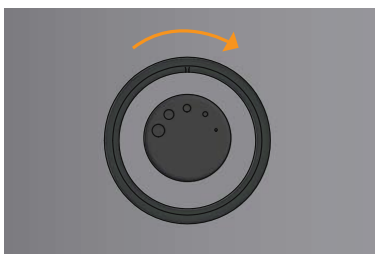
The reset function is done by connecting the supplied USB-C charger plug at the bottom of the side of the stove and the 5V power supply in the socket.

Next, unplug after 30 sec. and open the door and the Zensoric resets

Baffle plates



Tertiary holes



**SETTINGS
FOR NORMAL LOAD:
20 - 80%**

INSTRUCTIONS FOR HEATING

ENVIRONMENTALLY-FRIENDLY FIRING

Avoid turning down your stove to the point where no flames are visible from the wood, as this leads to poor combustion and low efficiency. The gases released from the wood will not be burnt off due to the low temperature in the combustion chamber. Some of the gases will condense in the stove and flue system as soot, and this could lead to your chimney catching fire at a later point. The residual smoke which exits the chimney will pollute the surrounding area and cause an unpleasant smell.

NOTE!

No matter how good your chimney is, it will not perform well if you do not use it correctly. Equally, a poor chimney may well give you acceptable results if you use it correctly

LIGHTING

We recommend the use of fire lighters, or similar products, which are available from your Scan dealer. Using fire lighters helps light the wood more quickly and keeps the combustion process clean.

See our video about correct firing on www.scan-stoves.com or scan the QR-code. Please note that this video is only intended as a guide. You should also follow the instructions in the specific manual for your stove model!

Scan the QR-code and see our video about correct firing.



NOTE: Never use liquid lighting fuels!

The combustion chamber lining may turn black when the fire is lit. It will burn clear again the next time wood is added.

"TOP DOWN" LIGHTING

"Top down" lighting is a more environmentally friendly way of lighting the fire and helps to keep the glass area as clean as possible.

Do as follows for a correct "top down" lighting:

- 4 pieces of wood approx. 20-23 cm long with a weight of approx. 0,3-0,5 kg per piece
 - 10-12 thin pieces of firewood of about 20 cm in length, with a total weight of approx. 0,3-0,5 kg.
 - 3 fire lighters in bag or block form
- 1 Place the pieces of wood, firewood and fire lighters in the combustion chamber as shown below
 - 2 Set the combustion air control to maximum for 15 minutes (See "Instructions for use")
 - 3 When the large pieces of wood have caught fire, you can adjust the combustion air to the desired level

NOTE: The wood must never be placed higher than the lower tertiary holes at the rear of the burn chamber (This does not apply at a cold start).



CONTINUOUS OPERATION

It is important to obtain as high a temperature as possible in the combustion chamber. This results in best possible use of the stove and fuel, as well as achieving clean combustion. In this way you will avoid build-up of soot on the combustion chamber lining and glass pane. During operation, you should not see any smoke; just a movement in the air that indicates combustion is in progress.

- After completing the lighting phase, you should have a good layer of embers in the stove; you can then start operation of it properly
- Add 2 pieces of wood at a time: they should be about 0,6-0,8 kg in weight and about 20-25 cm long

NOTE: The wood must catch fire quickly. This is why we recommend setting the combustion air flow fully open. Operating the stove at too low a temperature and with too little the combustion air can lead to gases igniting, which can damage the stove.

- When adding wood, always open the glass door carefully to prevent smoke escaping. Keep the door closed during the whole combustion phase
- Never add wood, while the fire is burning nicely



At the EN 13240-test the stove was fired as shown on the picture:

With three pieces of birch each 200 mm – with a total weight of 1.35 kg.

Combustion air control 25 % open.

WARNING ABOUT OVER-FIRING

If the stove is continuously fired with larger amounts of wood than recommended and/or receives too much air, this can cause a heavy heat development liable to damage both stove and the surrounding walls. We therefore recommend that you always observe the max. recommended amount of fuel (See under "Technical Data").

USING THE STOVE IN VARIOUS WEATHER CONDITIONS

The way the wind affects the chimney can have a big impact on how your stove reacts under various wind loads; you may need to adjust the airflow to achieve good combustion. Fitting a damper in the flue pipe may also help, as it will allow you to regulate the draught under changing wind loads. The damper must not close more than 80% of the flue pipe.

Fog and mist can also have a big impact on chimney draught; you may need to use other settings for the combustion air to achieve good combustion.

FIRING IN THE SPRING OR AUTUMN

In the spring/autumn transition period, where there is less need for heating, we recommend you light the stove "top down" once, perhaps adding just two pieces of wood as above to ensure that the combustion chamber lining burns clean again.

THE FUNCTION OF THE CHIMNEY

The chimney is the wood-burning stove's motor; its performance determines how well your stove will work. The draught in the chimney creates negative pressure in the wood-burning stove. The negative pressure draws the smoke out of the stove and takes in air through the combustion air damper to fuel the combustion process. Combustion air is also used for the air wash system that keeps the window clear of soot.

The draught in the chimney is created by the difference in temperature inside and outside the chimney. The higher temperature difference, the better draught. This is why it is important that the chimney reaches operating temperature before you reduce the damper settings to restrict combustion in the stove (a brickwork chimney will take longer to reach operating temperature than a steel chimney). It is very important that the operating temperature is reached as quickly as possible on days when the draught in the chimney is poor due to unfavorable wind and weather conditions. You need to get a few flames going as quickly as possible. Chop the wood extra thin; use an extra fire lighter etc.

- After longer periods without use, you must check the chimney flue for blockages
- You can connect several units to the same chimney. You should however first check the relevant regulations in this respect

CHIMNEY FIRE

In the event of a chimney fire, keep the stove door and dampers on the stove closed. In an emergency, call the fire service.

- We recommend that you get a chimney sweep to check the chimney before using the stove again

GENERAL NOTES

PLEASE NOTE! Parts of the wood-burning stove, especially the outer surfaces, become hot during use. Due care should be exercised.

- Never empty ashes into a flammable container. Ashes can contain glowing embers long after you finish operating the stove
- When the stove is not in use you can close the dampers to avoid a draught through the stove
- If the stove has not been used for some time, you should check the flue passageways for potential blockages before relighting
- We advise you strongly not to use the stove over night. The stove is not suited for this purpose

NOTE: Never place flammable material in the radiation zone of the stove!

HANDLING OF THE FUEL

SELECTING WOOD/FUEL

You can use any type of wood as fuel. However harder woods, such as beech or ash, are generally better for heating, as they burn more evenly and create less ash. Other woods, such as maple, birch and spruce, are excellent alternatives.

PREPARATION

The best fuel is obtained where the tree has been felled and the wood sawn and split before May 1st. Remember to cut the wood to match the size of the combustion chamber. We recommend a diameter of 6-10 cm. The length should be about 6 cm shorter than that of the combustion chamber to leave enough space for air to circulate. If the diameter of the wood is greater than the above, it should be split down its length. Wood that has been split dries faster.

STORING

You need to store the sawn and split wood in a dry place for 1-2 years before it will be dry enough to burn. Wood dries faster if you stack it in an airy place. Before using it, it is a good idea to store the wood for a few days at room temperature. Remember that wood absorbs moisture from the air during autumn and winter.

MOISTURE

To avoid problematic impact on the environment and to ensure optimum operating economy, the wood should be perfectly dry before it can be used as fuel. If you use wood that is too damp, most of the heat it produces will be used up in evaporating the water. The stove will accordingly not increase in temperature, nor emit heat to the room as a result. This is obviously poor economy, and it will cause soot build-up on the glass pane, in the stove and in the chimney. Operation using moist wood also pollutes the environment.

- Maximum wood moisture content should not exceed 20%. A moisture content of 15-18% will deliver best efficiency
- An easy way of checking wood moisture content is to knock the ends of the two pieces of wood together. If the wood is moist, the sound will be slightly muffled
- It is a good idea to take the wood into the house a day before it is to be used

USE OF THE FOLLOWING AS FUEL IS ILLEGAL

NOTE: It is absolutely prohibited to fire with painted, pressure impregnated or glued wood, or sea driftwood.

NOTE: Nor should you ever burn chipboard, plastics, waste or treated paper. These contain substances that are hazardous to human health, to the environment, your stove, and your chimney.

In short - make sure you only use proper wood.

CALORIFIC VALUE OF THE WOOD

The various woods have different calorific values. In other words, for certain species of wood, you will need to use a greater quantity to achieve the same heating performance. This Instruction Manual assumes that you will be using beech, which has a very high calorific value and is also the easiest wood to get hold on. If you use oak or beech as fuel, you need to bear in mind that these wood types have a greater calorific value than for example birch. To avoid any risk of damage to the stove, you should therefore make sure to use less fuel in these cases.

Wood types	kg Drywood/m ³	Compared to beech
Hornbeam	640	110%
Beech/Oak	580	100%
Ash	570	98%
Maple	540	93%
Birch	510	88%
Pine	480	83%
Fir	390	67%
Poplar	380	65%

MAINTAINANCE

SWEEPING THE CHIMNEY AND CLEANING THE STOVE

Follow national and local regulations for sweeping the chimney. We recommend having the stove cleaned regularly by a chimney sweep.

Before cleaning the stove and sweeping the flue pipe and chimney, we recommend removing the baffle plates. (See section "Removal of baffle plates and combustion lining")

NOTE: All service and repair must be done, when the stove is cold.

CHECKING THE STOVE

Scan A/S recommends that you check your stove thoroughly after sweeping/cleaning. Check all visible surfaces for cracks. Check that all joints are tight and that the gaskets are correctly seated. Worn or deformed gaskets should be replaced.

SERVICING

We recommend that the stove is thoroughly serviced at least every two years by a qualified fitter. Remember only to use original spare parts.

The service should include the following:

- Lubricate hinges using copper grease
- Check the gaskets. Replace any that are broken or have turned hard
- Check the combustion chamber lining and the grate
- Check heat-insulating materials
- Check the locking device

COMBUSTION CHAMBER LINING

Slight cracks can appear in the combustion chamber lining due to moisture or sudden heating/cooling. These cracks have no influence on the output or lifetime of your stove. However, if the lining starts to crumble and fall out, you must replace it.

The combustion chamber lining is not covered by the warranty.

GASKETS

All wood-burning stoves have seals made of ceramic material fitted to the stove, the door and/or the glass. These seals are subject to wear and tear and must be replaced when necessary.

Gaskets are not covered by the warranty.

PAINTED SURFACES

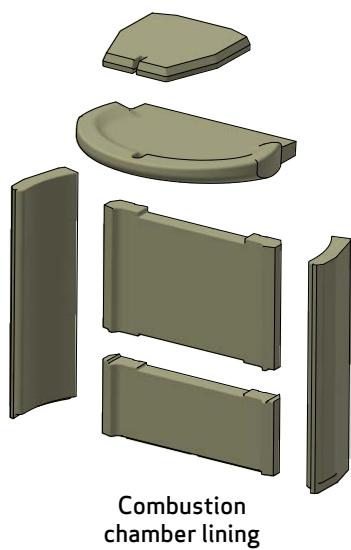
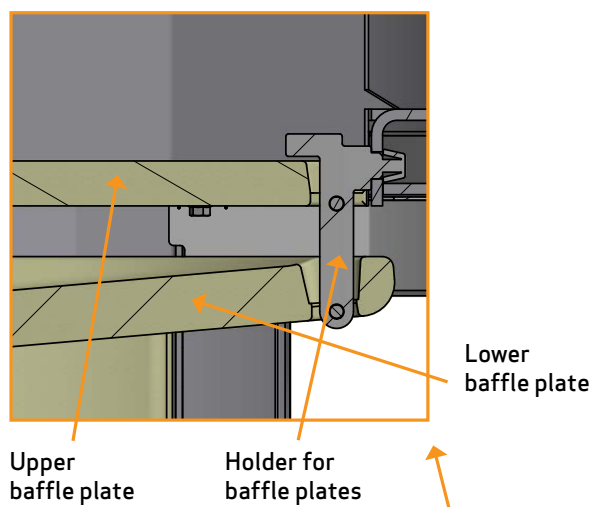
Clean your wood-burning stove by wiping it down with a dry, lint-free cloth.

If the paint finish gets damaged, you can purchase repair paint in spray form from your Scan dealer. As slight differences in colour shade are possible, we recommend you spray a larger area to achieve a natural blend. For best results, apply repair spray when the stove is warm enough for you to just keep your hand on it, but no hotter.

NOTE: Make sure to air the room thoroughly after applying spray paint.

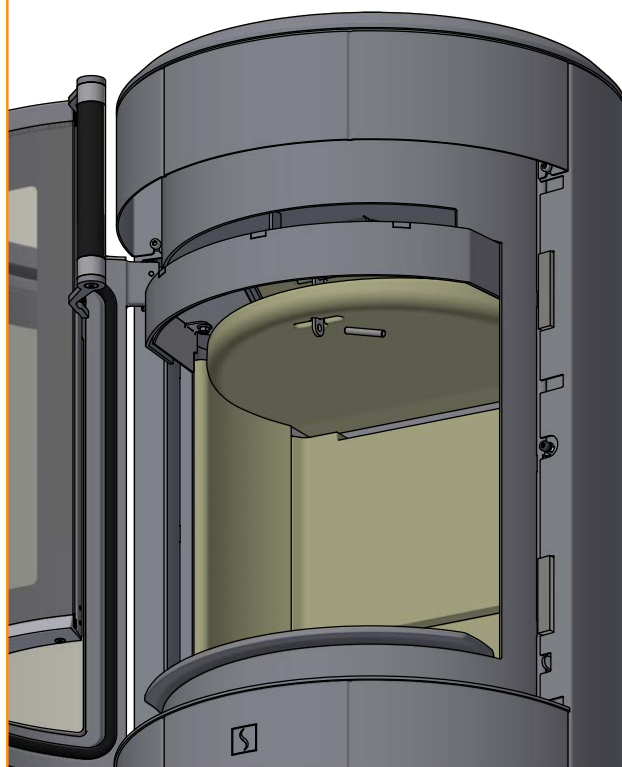
REMOVAL OF BAFFLE PLATES AND COMBUSTION CHAMBER LINING

Be very careful when removing the baffle plates from the stove.



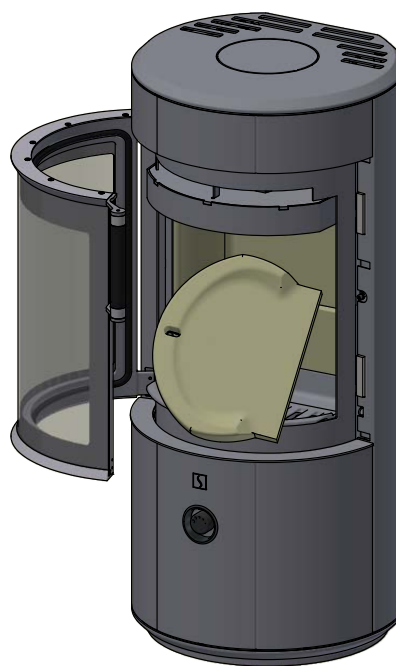
Lift the lower baffle plate and remove the pin

1



Turn the baffle plate 90°, and lower it out through the combustion chamber

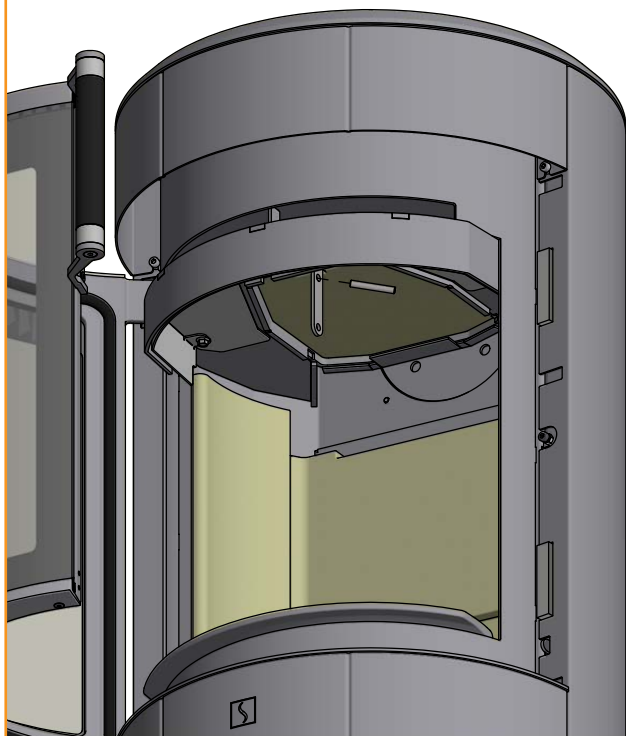
2



REMOVAL OF BAFFLE PLATES AND COMBUSTION CHAMBER LINING

Lift the upper baffle plate and remove the pin

3



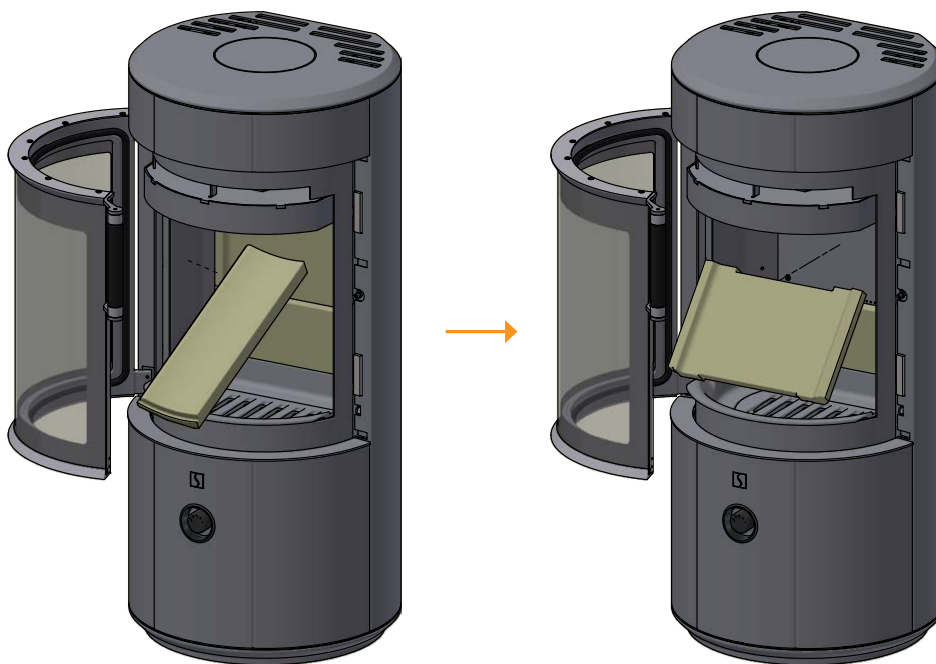
Pass the baffle plate edge-first and downwards out through the combustion chamber

4



Carefully lift the sides and rear plates of the combustion chamber lining out of the stove

5



CLEANING THE GLASS

Our wood-burning stoves are designed to prevent serious soot build-up on the glass. The best way to achieve this is to make sure you have a good supply of combustion air. It is also very important that the wood is dry and the chimney correctly dimensioned.

Even if you operate the stove in accordance with our instructions, a slight film of soot may still accumulate on the glass. You can easily remove this film by wiping the glass down with a dry cloth and then with a cloth dampened with glass cleaner.

- Please note that the glass cleaner is not to get into contact with the gaskets, as this can discolour the glass permanently
- The glass cleaner must not come into contact with the painted surfaces, as these can be damaged

DISPOSAL OF STOVE PARTS

Steel/cast iron	Send for recycling
Glass	Dispose of as ceramic waste
Combustion chamber lining	Vermiculite and chamotte are not recyclable. Dispose of as waste.
Baffle plate	Vermiculite is not recyclable. Dispose of as waste.
Gaskets	Dispose of as waste

TROUBLESHOOTING

SMOKE ESCAPING

- Damp wood
- Chimney is not properly dimensioned for the stove
- Is the chimney the right height for its surroundings?
- At rear outlet, check that the flue pipe does not obstruct the chimney draught
- Chimney not drawing properly
- Check if the smoke gas pipe/chimney are blocked
- Vacuum in room
- The door is opened before the embers have burned down sufficiently

WOOD BURNING TOO QUICKLY

- The air valves are set incorrectly
- Inferior firewood (waste wood, pallets etc.)
- The baffle plates is incorrectly mounted or missing
- Chimney too large

SOOT BUILD-UP ON GLASS

- Incorrect secondary airflow setting
- Damp wood
- Inferior firewood (waste wood, pallets etc.)
- Vacuum in room
- Electronic control out of order
- Wood pieces too large on lighting
- Chimney not drawing sufficiently

WHITE SHADOW ON THE INSIDE OF THE GLASS

- Over-firing (See "Instructions for heating")
- Electronic control out of order

EXCESSIVE SOOT BUILD-UP IN CHIMNEY

- Poor burning (more air required)
- Damp wood

THE SURFACE OF THE STOVE IS TURNING GREY

- Overheating (see instructions for heating)

POOR HEATING PERFORMANCE OF STOVE

- Damp wood
- Inferior wood quality with low fuel value
- Not enough wood
- Baffle plates are not fitted correctly

SMELL AND SOUND OF THE STOVE

- The lacquer on the stove hardens when you use the stove for the first time; this can cause an odour. Open a window or a door for ventilation, and make sure the stove is heated up sufficiently to avoid odours later
- When heating up and cooling down, the stove may make some clicking noises. These are due to the huge temperature differences to which the material is exposed and do not indicate any product defects

WARRANTY

All wood-fired Scan products are made of high-quality materials and subject to strict quality controls before leaving the factory. We give a warranty of 5 years on manufacturing errors or defects.

You must quote your stove's product registration number when you contact us or your authorized Scan dealer with a warranty claim.

The warranty covers all parts which in the opinion of Scan A/S require repair or replacement due to manufacturing or construction error

The warranty applies to the original purchaser of the product only, and is not transferable (except on prior sale).

The warranty covers only damage caused by manufacturing or construction errors.

THE FOLLOWING PARTS ARE NOT COVERED BY THE WARRANTY

- Wear and tear parts, such as the combustion chamber liners, baffle plates, riddling grate, glass, seals and electronic components (except for defects which were present on delivery)
- Defects caused by external chemical and physical influences during transportation, storage and assembly, or at a later time.
- Soot build-up caused by poor chimney draught, damp wood, or improper use
- Costs of additional heating in connection with a repair
- Transport costs
- Costs for setting up, removing the wood stove

THIS WARRANTY IS VOID

- In case of incorrect installation (the installer is responsible for observing and complying with legal requirements and local bylaws, along with this Instructions manual for the wood-burning stove and accessories)
- In case of improper use, and/or use of prohibited fuels, non-original spares (see this instructions manual)
- If the product registration number of the stove has been removed or damaged
- In case of repairs that do not comply with our instructions or instructions by an authorized Scan dealer
- In case of any manipulation of the original state of this Scan product or its accessories
- This warranty is only valid in the country to which this Scan product was originally supplied

Always use original replacement parts, or parts recommended by the manufacturer.

Product registration number

Quote this number at all enquiries